

Intermittent Bagmaker ES400



The ES400 is our ultra-sanitary, tough-as-nails fully stainless steel VFFS machine and can withstand the harshest washdown procedures. This servo-driven bagger is perfect for packaging fresh and frozen fruit, vegetables, and meat/poultry.

max. speed

100
bpm

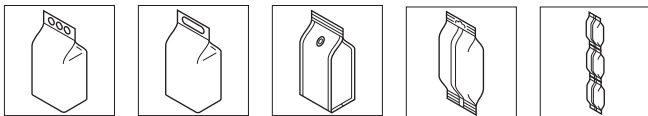
bag size

max.
400 mm × 600 mm (15.75" × 23.62")
min.
100 mm × 100 mm (3.94" × 3.94")

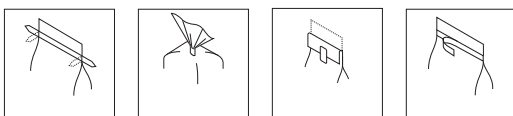
Bag Types



Bag Options



Recloseable Solutions



Intermittent Bagmaker ES400 In Detail

Built to withstand the harshest washdown procedures, the Viking Masek ES400 VFFS machine has a superior hygienic design and rugged construction. This state-of-the-art vertical bagger features slanted electrical and pneumatic cabinets, fully stainless steel construction, and an open design for ease of cleaning. We understand the need for lean maintenance and low cost of ownership; that's why we never use proprietary parts. We blend just the right amount of technology and functionality, making our ES400 an unparalleled packaging solution in both construction and value!

features

- › Siemens or Allen Bradley control system
- › Robust, fully stainless steel 45° angled frame
- › Stainless steel film unwind
- › Servo-drive jaw actuation
- › Two separate IP66 electrical and pneumatical enclosures
- › Drip pan
- › Off-the-shelf components
- › Minimal maintenance requirements
- › Easily-accessible, open design
- › No tool change-over
- › Self-centering pull belts
- › Automatic film tracking
- › VFD powered film unwind
- › Quick film splice table
- › Photo eye and encoder
- › Jaw obstruction detection
- › Stainless steel guard doors
- › Runs most film structures
- › Storage for 100 product recipes

options

- › Flat bottom bag assembly
- › Vacuum pull belts
- › Hole punch (Euroslot or Round)
- › Carry-handle
- › Load shelf
- › Product settler
- › Gas flush
- › Static eliminator
- › Tear notch
- › Product stagers
- › End-seal cooling air
- › Bag deflators
- › Remote diagnostics
- › Squeegee system for packaging of liquids
- › Integration with variety of fillers, printers, metal detectors, label applicators, and checkweighers
- › In-feed and take-away conveyors

Max. speed
100 bpm

Weight
1 225 kg (2,700 lbs)

Bag width
100–400 mm
(3.94"–15.75")

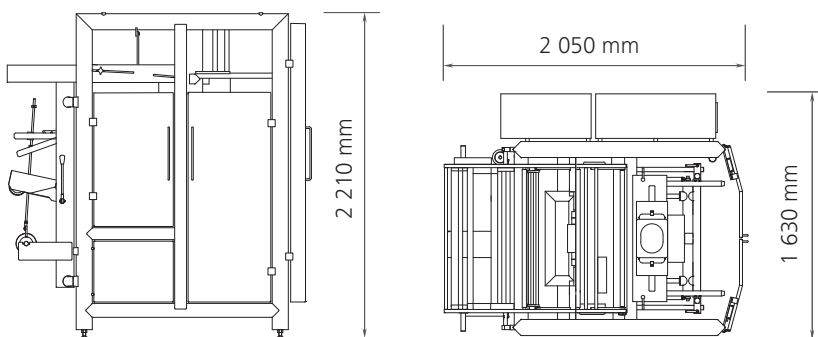
Air pressure
6 bar
(20 SCFM at 90 PSI)

Bag length
100–600 mm
(3.94"–23.62")

Power supply
8.4 kVA
(480 V, three phase,
50/60 Hz., 20 AMPS)



Machine drawings



Europe, Asia, Africa, Australia

Viking Mašek, a.s. | Průmyslová 1747 | 258 01 Vlašim | Czech Republic

Phone +420 317 850 500 | **Email** info@masek.cz | **Website** www.masek.cz, www.vikingmasek.cz

North and South America

Viking Masek Global Packaging Technologies, Inc. | 40 Woodland Court | Oostburg, WI 53070 | USA

Phone +1 920 564 5051 | **Email** sales@vikingmasek.com | **Website** www.vikingmasek.com