

Multilane Sachet Machine SA300



Viking Masek's SA300 is an intermittent motion sachet machine and is available with servo auger, volumetric or liquid fillers, to produce attractive 4-side seal sachets using just one roll of packaging film up to 600 mm wide.

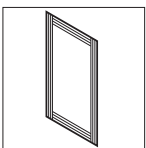
max.
speed

80
cpm

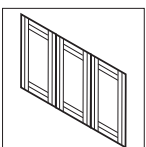
bag
size

max.
250 mm x 200 mm (9.84" x 7.88")
min.
40 mm x 50 mm (1.57" x 2")

Bag Types



Bag Options



Multilane Sachet Machine SA300 In Detail

Looking for speed and flexibility in your sachet needs? Our versatile multi-lane SA300 sachet machines can accommodate from 1 to 6 lanes to form sachet pouches. Designed to pack powders; dense, fine, loose and particulate materials as well as liquids and semiliquids into 4-side sealed sachets and to accommodate different bag shapes including tear notches and easy-open systems. Fully automated cartoning solutions are offered to suit your needs.

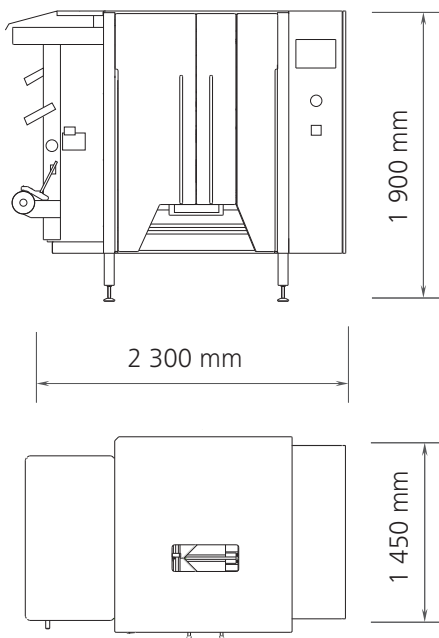
features

- › Powered film unwind with film tension control
- › Film slitters and forming tubes – set per bag size
- › Discharge chutes
- › Siemens or Allen Bradley control system
- › Automatic film tracking
- › GMP construction

options

- › Straight cut
- › Zigzag cut
- › Die cut
- › Easy open features like tear notch or microperforation
- › Various seal patterns and shapes
- › Automatic bag length adjustment
- › Individual discharge chutes
- › Empty sachet rejection
- › Dust suction nozzles
- › Static elimination
- › Film edge trimming and suction
- › Embossing in the longitudinal seal
- › Stainless steel construction
- › Pharma construction (IQ/OQ)
- › Multi-lane volumetric filler, servo auger filler or servo liquid fillers
- › Robotic pick-and-place unit and automatic cartoning solutions
- › Hot stamp, Inkjet, or thermal transfer printer
- › In-feed and out-feed conveyors

Machine drawings



Max. speed
80 bpm

Weight
1 000 kg (2,205 lbs)

Sachet width
40–250 mm
(1.57”–9.84”)

Air pressure
6 bar
(30 CFM at 90 PSI)

Sachet length
50–200 mm
(2”–7.88”)

Power supply
6.8–8 kVA
(480 V, three phase,
60 Hz., 30 AMPS)



Europe, Asia, Africa, Australia

Viking Mašek, a.s. | Průmyslová 1747 | 258 01 Vlašim | Czech Republic

Phone + 420 317 850 500 | **Email** info@masek.cz | **Website** www.masek.cz, www.vikingmasek.cz

North and South America

Viking Masek Global Packaging Technologies, Inc. | 40 Woodland Court | Oostburg, WI 53070 | USA

Phone + 1 920 564 5051 | **Email** sales@vikingmasek.com | **Website** www.vikingmasek.com